

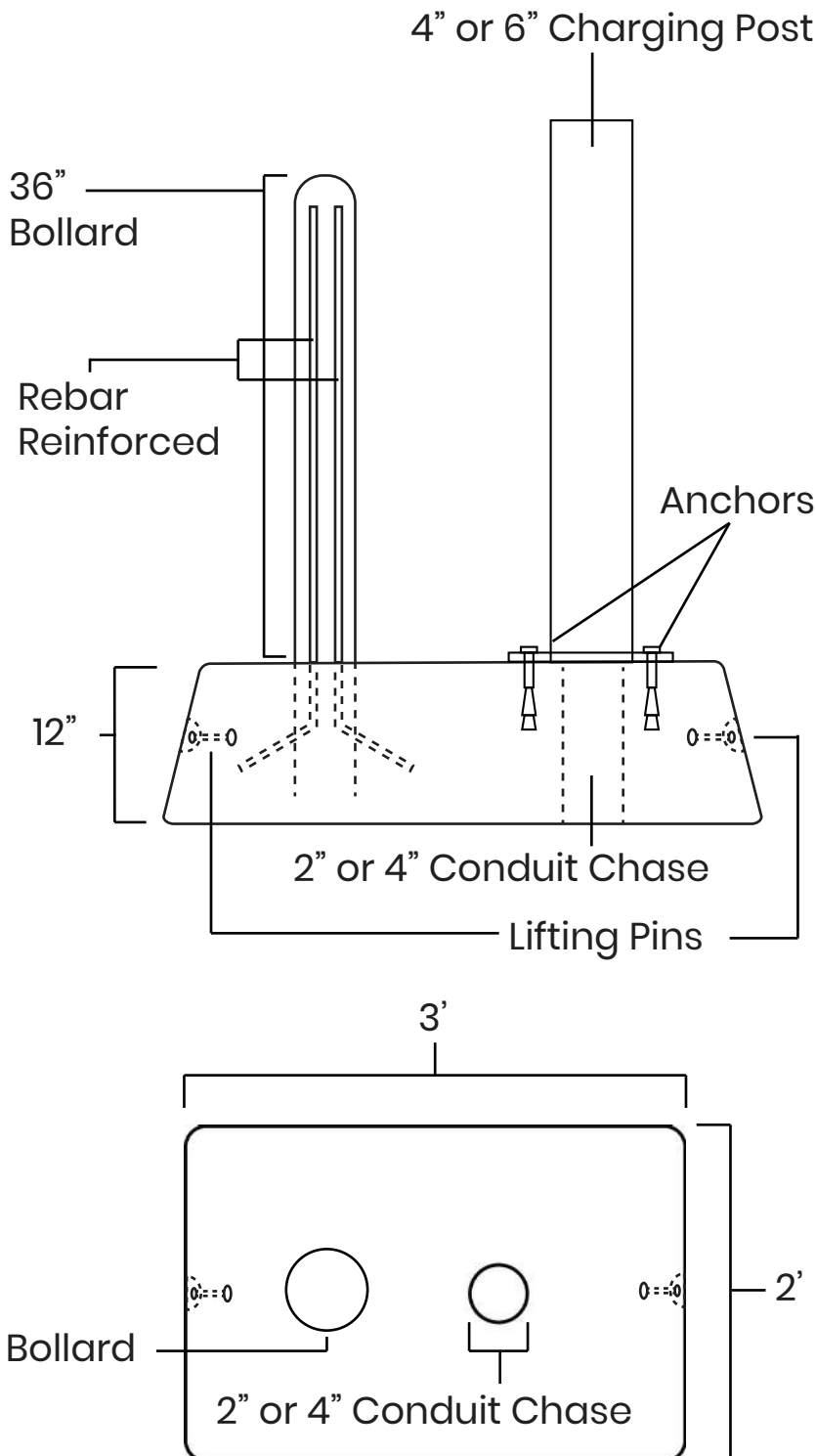
# EZ-EV STANDARD

QUICK INSTALLATION – NO MESS



Additional product info, videos, and photos can be found at

**EZ-CRETE.COM**



## SPECS:

- Weight: 1,000 lbs
- Dimensions: 12" H x 3' L x 2' W
- Bollard: 4 1/4 Diameter x 36"
- Conduit Chase: 4" D
- Conduit Size: 2 or 4 Inch
- Rebar: 2 pcs #4
- Lifting Pin: 1/2" x 4" Dogbone

## INSTALLATION:

Dig hole at least 6" wider in each direction and as deep as required for conduit.

Fill hole with crushed stone so that pad will be level with final grade.

Place pad over conduit installed prior to placement using lifting pins.

Backfill around pad, compacting soil every 4 inches.

## Notes:

- Frost protection not required per exception on IBC1809.5, free standing and minimal lateral load.
- Anchoring options or approved equal
  - 5/8" Ø HILI KWIK BOLT 3 expansion anchor, min. embed = 5"
  - 1/2" Ø HILI HIT-Z rod with HILTI HIT HY-200 adhesive, min embed = 4 1/2"
- Maximum weight to be supported by pad = 1,500 pounds.
- Maximum windload = 150 mph
- Lead water away from base at the pad.

