

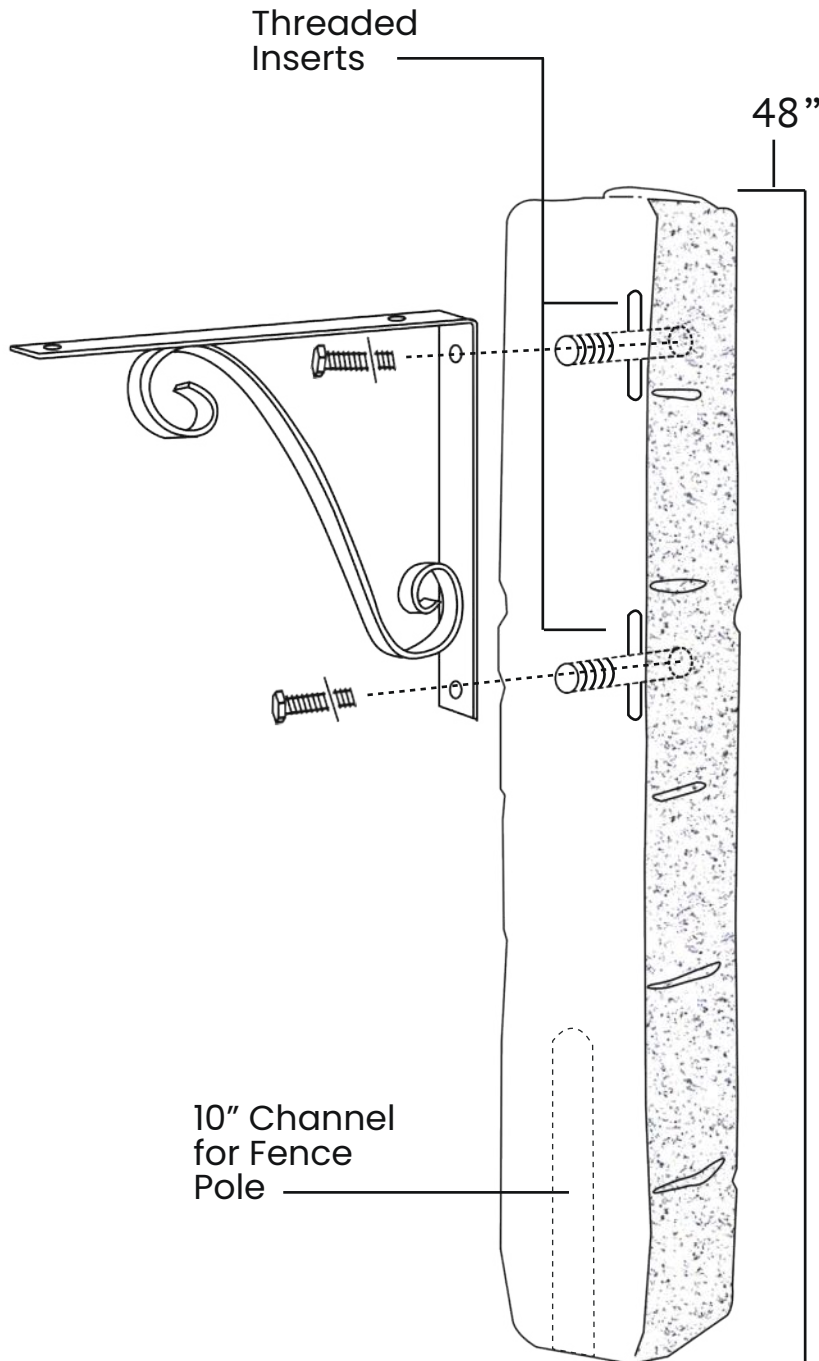
# HAMPSHIRE MAILBOX POST

INSTALLS IN MINUTES – MINIMAL DIGGING



DOWNLOAD FULL SPECS  
& INSTRUCTIONS AT

**EZ-CRETE.COM**



## SPECS:

- Weight: 200 lbs. typ.
- Height: 48"
- Dimensions: 7" x 7" approx width / depth
- Two 1/2" x 13 threaded inserts
- Channel Depth: 10"
- Channel Diameter: Accepts 1 5/8" galv. fence pole
- Steel mailbox bracket and bolts included

## INSTALLATION:

Drive 1 5/8" galv. fence post into ground below frost line.

Remove 2-3" soil around galv. fence post, then cut pipe so that only 10" remain above grade.

Mix and pour one bag of stack crete in area where soil was removed.

Place Hampshire Post over galv. fence post, and push concrete around base.

Attach mailbox bracket with included bolts.

Install mailbox on bracket.

You're done. Nice job!

