

# EZ-TUBE

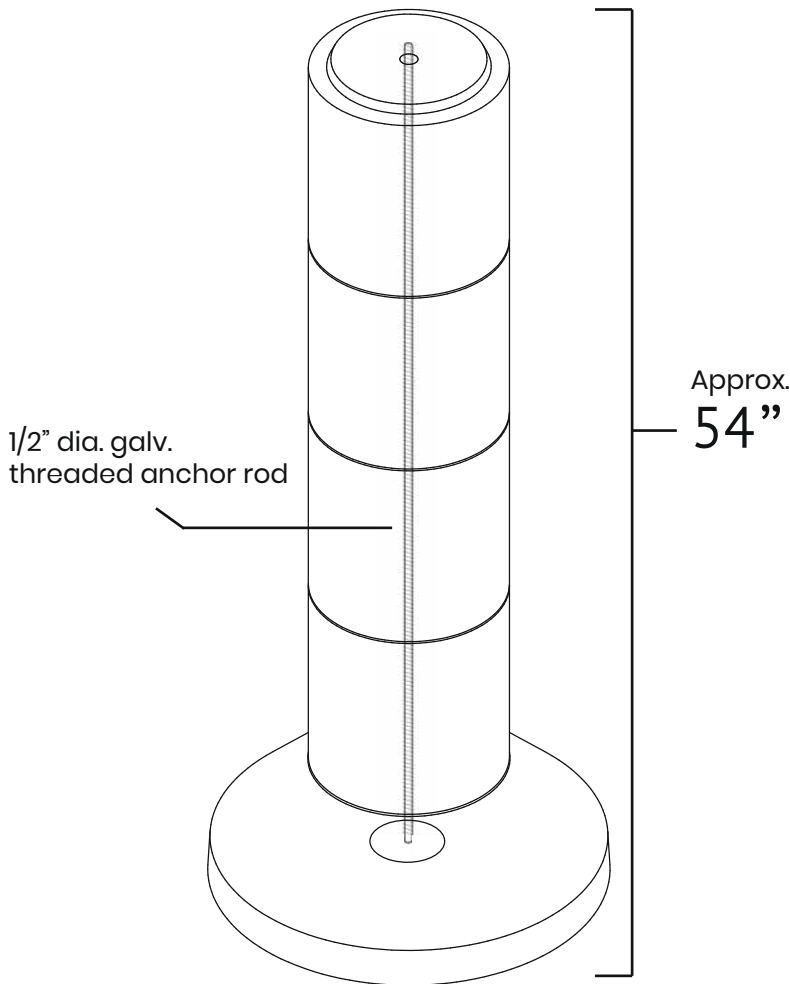
INSTALLS BY HAND — READY TO BUILD ON IN MINUTES



DOWNLOAD FULL SPECS  
& INSTRUCTIONS AT

**EZ-CRETE.COM**

Typical EZ-TUBE Stack with Base  
Section & Four Upper Sections



1/2" dia. galv.  
threaded anchor rod

Approx.  
**54"**

## SPECS:

- Upper Section Weight: 70 lbs. typ.
- Base Section Weight: 120 lbs. typ.
- Stack Height: Approx. 54" (as shown)
- Base: 22" Diameter
- Load Rating: 135,000 lbs. at top
- 60" or 72" x 1/2" galv. anchor rod with base plate (cut to length on site)

## INSTALLATION:

Dig hole or trench to the required depth (below frost line).

Prep bottom with crushed stone as necessary.

Thread anchor rod through base section.

Place base and anchor into position.

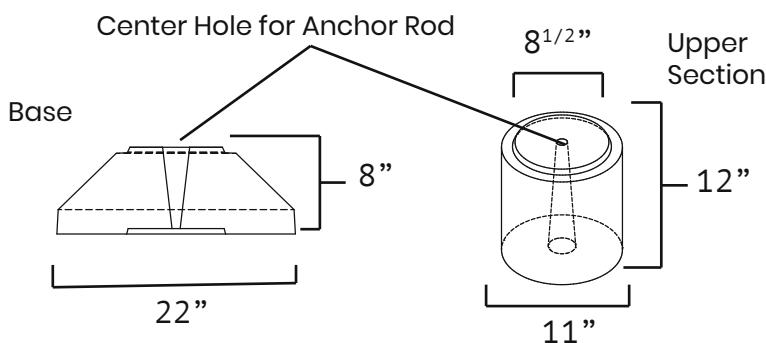
Add upper sections by sliding over anchor rod.

Use 3000 psi (minimum) mortar between each layer.

Level, plumb & align as necessary.

Backfill, compacting soil every six inches.

Keep building.



Center Hole for Anchor Rod

Base

8<sup>1/2</sup>"

Upper  
Section

8"

12"

22"

11"



**FORGET MIXING. KEEP BUILDING**



FOR MORE DETAILS, INSTRUCTIONS AND A LIST OF DISTRIBUTORS, VISIT:

**EZ-CRETE.COM**