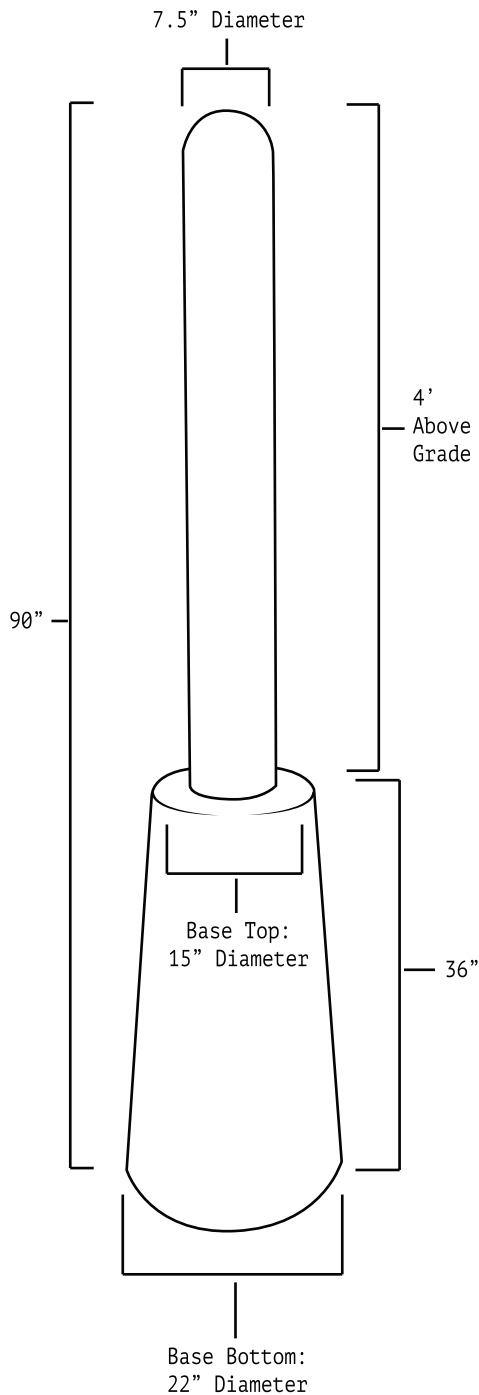


# PRECAST BOLLARD



DOWNLOAD FULL SPECS  
& INSTRUCTIONS AT

**EZ-CRETE.COM**



## SPECS :

- Height: 7' - 4' above grade
- Weight: 1,100 lbs. with 36" base
- Base Diameter: 15" at top; 22" at bottom
- Bollard Diameter: 7"
- Lift Points: 2 Steel loops at top of base

## INSTALLATION:

Dig hole to required depth.

Prep bottom with crushed stone as necessary.

Place bollard into position with equipment.

Level, plumb & align bollard as necessary.

Backfill, compacting soil every six inches.



FOR MORE DETAILS, INSTRUCTIONS AND A LIST OF DISTRIBUTORS, VISIT:

**EZ-CRETE.COM**

INFO@EZ-CRETE.COM

