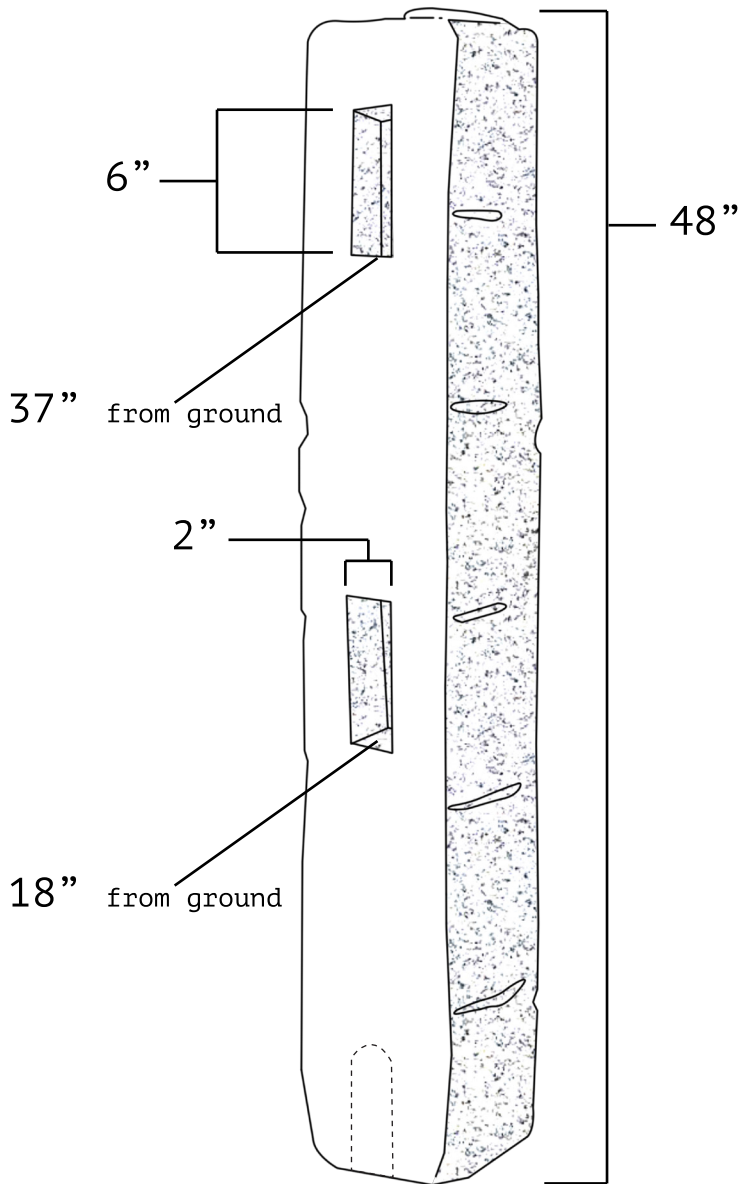


HAMPSHIRE POST



DOWNLOAD FULL SPECS
& INSTRUCTIONS AT

EZ-CRETE.COM



SPECS:

- Weight: 150 lbs. typ.
- Height: 48"
- Width: 7" x 7" approx.
- Pockets: 2" x 6" approx.
- Channel Depth: 10"
- Channel Diameter: Accepts 1 5/8" galv. fence post
- Available Types: Inline post, end post, corner post, solid.

INSTALLATION:

Drive 1 5/8" galv. fence post into ground below frost line.

Run line to other end of fence line.

Using 2/4" template, place and drive your remaining galv. fence posts.

Remove 2-3" soil around galv. fence post, then cut pipe so that only 10" remain exposed.

Place Hampshire Post over galv. fence post, and push soil around base.

Add rails.

DONE!